

## TECO TUBE EXPANDERS

### for Condensers and Heat Exchangers

#### Selection Guide:

#### Model : CH 8012

Tube Size I.D. 1.358" - 4.000"  
(34.5 - 101.6 mm)



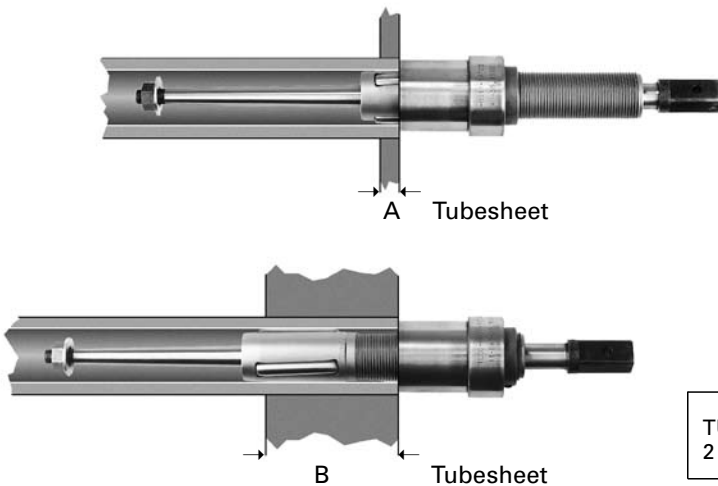
#### MACTECH AUSTRALIA HEAD OFFICE:

Unit 2, 52 Vinnicombe Drive, Canningvale, Perth, WA, Australia. 6155  
www.mactechaustralia.com.au • alan@mactechaustralia.com.au

Ph: +61 (08) 9455 6677

Mob/cell: 0409 081 343

Fax: +61 (08) 9455 6644



	TUBE SHEET THICKNESS	
	A MINIMUM	B MAXIMUM
TUBE EXPANDER WITH 2 1/4" ROLL LENGTH	1/4" (6.35 mm)	3 3/4" (95.25 mm)

TUBE O.D. AND G.A.	MIN. I.D. TUBE TOOL ENTERS		MAX. TOOL EXPANSION		SIZE SQUARE ON MANDREL	EXPANDER WITH 2 1/4" (57.1 mm) ROLLS		MANDREL NO.
	Inch	mm	Inch	mm		EXPANDER NO.	ROLL SET NO.	
1 3/4" - 8	1.358	34.50	1.552	39.42	3/4"	CH-8012-1 3/4-8	TR-33-A	MT-90
1 3/4" - 9-10	1.420	36.10	1.617	41.08		CH-8012-1 3/4-10	TR-37-A	MT-90
1 3/4" -11	1.452	36.90	1.637	41.58		CH-8012-1 3/4-11	TR-42	MT-90
1 3/4" -12	1.480	37.60	1.659	42.14		CH-8012-1 3/4-12	TR-44	MT-90
1 3/4" -13	1.507	38.30	1.687	42.84		CH-8012-1 3/4-13	TR-46	MT-90
1 3/4" -14	1.532	38.90	1.711	43.46		CH-8012-1 3/4-14	TR-48	MT-90
2" - 6-7	1.563	39.70	1.791	45.51	3/4"	CH-8012-2-6-7	TR-48	MT-91
2" - 8-10	1.625	41.30	1.859	47.23		CH-8012-2-8-10	TR-50	MT-91
2" -11	1.662	42.00	1.888	47.95		CH-8012-2-11	TR-52	MT-91
2" -12	1.685	42.80	1.910	48.51		CH-8012-2-12	TR-54	MT-91
2" -13-16	1.724	43.80	1.949	49.51		CH-8012-2-13-16	TR-56	MT-91
2 1/4" - 5	1.788	45.40	2.019	51.28	3/4"	CH-8012-2 1/4- 5	TR-50	MT-92
2 1/4" - 6- 7	1.839	46.70	2.069	52.56		CH-8012-2 1/4- 6- 7	TR-54	MT-92
2 1/4" -8-10	1.882	47.80	2.109	53.56		CH-8012-2 1/4- 8-10	TR-56	MT-92
2 1/4" -11	1.921	48.50	2.137	54.28		CH-8012-2 1/4-11	TR-58	MT-92
2 1/4" -12	1.933	49.10	2.159	54.84		CH-8012-2 1/4-12	TR-60	MT-92
2 1/4" -13-16	1.936	49.80	2.187	55.56		CH-8012-2 1/4-13-16	TR-62	MT-92

Note: Expander CH 8012 is also available as four or five roll expander.



TUBE O.D. AND G.A.	MIN. I.D. TUBE TOOL ENTERS		MAX. TOOL EXPANSION		SIZE SQUARE ON MAN- DREL	EXPANDER WITH 2 1/4" (57.1 mm) ROLLS		MANDREL NO.
	Inch	mm	Inch	mm		EXPANDER NO.	ROLL SET NO.	
2 1/2"-5-7 2 1/2"-8-12 2 1/2"-13-16	2.043 2.134 2.232	51.90 54.20 56.70	2.348 2.409 2.437	59.64 61.20 61.90	1" 3/4"	CH-8012-2 1/2- 5- 7 CH-8012-2 1/2- 8-12 CH-8012-2 1/2-13-16	TR-62 TR-64 TR-64	MT-96 MT-93 MT-94
2 3/4"-5-7 2 3/4"-8-14	2.291 2.366	58.20 60.10	2.598 2.673	65.98 67.90	1"	CH-8012-2 3/4- 5- 7 CH-8012-2 3/4- 8-14	TR-64 TR-66	MT-96 MT-96
3"-3-4 3"-5 3"-6-7 3"-8-14	2.449 2.478 2.547 2.618	62.20 62.90 64.70 66.50	2.752 2.791 2.867 2.924	69.90 70.90 72.82 74.26	1"	CH-8012-3-3-4 CH-8012-3-5 CH-8012-3-6-7 CH-8012-3-8-14	TR-64 TR-64 TR-66 TR-67	MT-97-SP MT-98 MT-98 MT-96
3 1/4"-5-9 3 1/4"-7-14	2.744 2.871	69.70 72.90	3.045 3.174	77.35 80.63	1"	CH-8012-3 1/4- 5- 9 CH-8012-3 1/4- 7-14	TR-67 TR-68	MT-97 MT-97
3 1/2"-7-13 3 1/2"-8-14 3 1/2"-11-18	3.043 3.122 3.224	77.30 79.30 81.90	3.361 3.440 3.543	85.38 87.38 89.98	1"	CH-8012-3 1/2- 7-13 CH-8012-3 1/2- 8-14 CH-8012-3 1/2-11-18	TR-69 TR-69 TR-70	MT-98 MT-99 MT-99
4"-6-11 4"-10-16 4"-12-18	3.575 3.701 3.732	90.80 94.00 94.80	3.898 4.014 4.050	99.00 100.96 102.86	1"	CH-8012-4-6-11 CH-8012-4-10-16 CH-8012-4-12-18	TR-71 TR-72 TR-71	MT-99 MT-99 MT-100
4 1/4"-8-12	3.851	97.80	4.179	105.76	1"	CH-8012-4 1/4- 8-12	TR-72	MT-100
4 1/2"-2-3	3.851	97.80	4.179	105.76	1"	CH-8012-4 1/2- 2- 3	TR-72	MT-100

Note: Expander CH 8012 is also available as four or five roll expander.