

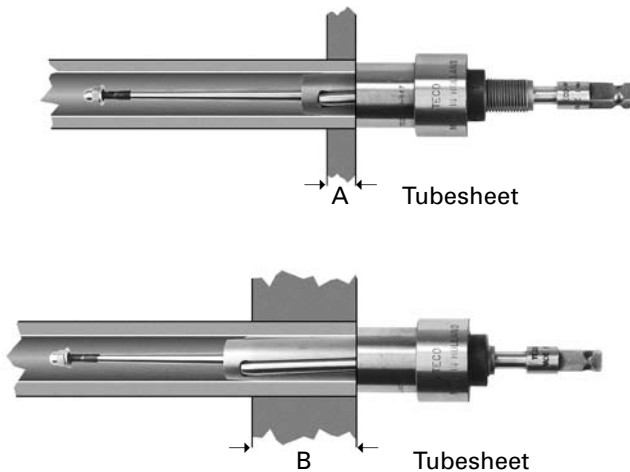
# TECO TUBE EXPANDERS

## for Condensers and Heat Exchangers

### Selection Guide:

**Model : CH 800**  
**five roll type**  
**expander**

Tube Size I.D. .500" - 1.457"  
(12.7 - 37.0 mm)



	TUBE SHEET THICKNESS	
	A MINIMUM	B MAXIMUM
TUBE EXPANDER WITH 1 1/2" ROLL LENGTH	1/4" (6.35 mm)	1 1/4" (31.75 mm)
TUBE EXPANDER WITH 2 1/4" ROLL LENGTH	1" (25.40 mm)	2" (50.80 mm)



**CALL 1800 023 859 TO SPEAK WITH ONE OF OUR TECHNICIANS**

**Innovative Onsite Engineered Solutions**

TUBE O.D. AND G.A.	MIN. I.D. TUBE TOOL ENTERS		MAX. TOOL EXPANSION		SIZE SQUARE ON MANDREL	EXPANDER WITH 1 1/2" (38.1 mm) ROLLS		EXPANDER WITH 2 1/4" (57.1 mm) ROLLS		MANDREL NO.
	Inch	mm	Inch	mm		EXPANDER NO.	ROLL SET NO.	EXPANDER NO.	ROLL SET NO.	
5/8" -17-19	.499	12.67	.578	14.69	3/8"	CH-815-5	TR-4-5	CH-816-5	TR-4-A-5	MT-9
5/8" -20-22	.539	13.70	.601	15.27		CH-819-5	TR-4-5	CH-820-5	TR-4-A-5	MT-11
5/8" -23-24	.550	13.97	.627	15.93		CH-821-5	TR-5-5	CH-822-5	TR-5-A-5	MT-12
3/4" -13-14	.550	13.97	.627	15.93	1/2"	CH-821-5	TR-5-5	CH-822-5	TR-5-A-5	MT-12
3/4" -15-16	.596	15.14	.688	17.21		CH-827-5	TR-8-5	CH-828-5	TR-8-A-5	MT-12
3/4" -17-18	.619	15.72	.706	17.94		CH-829-5	TR-8-5	CH-830-5	TR-8-A-5	MT-13
3/4" -19-21	.642	16.31	.730	18.56		CH-831-5	TR-9-5	CH-832-5	TR-9-A-5	MT-13
3/4" -22-24	.670	17.02	.750	19.05		CH-833-5	TR-9-5	CH-834-5	TR-9-A-5	MT-14

Note: For TECO four and five roll expanders we recommend a thin wall thrust collar, especially for 19-24 Gauge wall.



**MACTECH AUSTRALIA HEAD OFFICE:**

Unit 2, 52 Vinnicombe Drive, Canningvale, Perth, WA, Australia. 6155  
www.mactechaustralia.com.au • alan@mactechaustralia.com.au

Ph: +61 (08) 9455 6677

Mob/cell: 0409 081 343  
Fax: +61 (08) 9455 6644



**CALL 1800 023 859 TO SPEAK WITH ONE OF OUR TECHNICIANS**

**Innovative Onsite Engineered Solutions**



TUBE O.D. AND G.A.	MIN. I.D. TUBE TOOL ENTERS		MAX. TOOL EXPANSION		SIZE SQUARE ON MANDREL	EXPANDER WITH 1 1/2" (38.1 mm) ROLLS		EXPANDER WITH 2 1/4" (57.1 mm) ROLLS		MANDREL NO.		
	Inch	mm	Inch	mm		EXPANDER NO.	ROLL SET NO.	EXPANDER NO.	ROLL SET NO.			
7/8"-13 7/8"-14 7/8"-15-16	.670 .685 .712	17.02 17.40 18.08	.750 .770 .807	19.05 19.56 20.50	1/2"	CH-833-5 CH-835-5 CH-837-5	TR-9-5 TR-10-5 TR-11-5	CH-834-5 CH-836-5 CH-838-5	TR-9-A-5 TR-10-A-5 TR-11-A-5	MT-14 MT-14 MT-16		
7/8"-17-18 7/8"-19-22 7/8"-23-24	.740 .763 .791	18.80 19.38 20.09	.826 .848 .892	20.98 21.65 22.65		CH-843-5 CH-845-5 CH-847-5	TR-11-5 TR-12-5 TR-13-5	CH-844-5 CH-846-5 CH-848-5	TR-11-A-5 TR-12-A-5 TR-13-A-5	MT-17 MT-17 MT-18		
1-12 1"-13 1"-14	.763 .791 .810	19.38 20.09 20.57	.848 .892 .904	21.65 22.65 22.97		1/2"	CH-845-5 CH-847-5 CH-849-5	TR-12-5 TR-13-5 TR-14-5	CH-846-5 CH-848-5 CH-850-5	TR-12-A-5 TR-13-A-5 TR-14-A-5	MT-17 MT-18 MT-18	
1"-15-16 1"-17-20 1"-21-24	.837 .865 .883	21.26 21.97 22.43	.933 .971 .999	23.69 24.67 25.38			CH-851-5 CH-855-5 CH-857-5	TR-15-5 TR-15-5 TR-15-5	CH-852-5 CH-856-5 CH-858-5	TR-15-A-5 TR-15-A-5 TR-15-A-5	MT-18 MT-20 MT-21	
1 1/8"-11 1 1/8"-12 1 1/8"-13-14	.865 .883 .916	21.97 22.43 23.57	.971 .999 1.013	24.67 25.38 25.74			1/2"	CH-855-5 CH-857-5 CH-859-5	TR-15-5 TR-15-5 TR-16-5	CH-856-5 CH-858-5 CH-860-5	TR-15-A-5 TR-15-A-5 TR-16-A-5	MT-20 MT-21 MT-21
1 1/8"-15-16 1 1/8"-17-20 1 1/8"-21-24	.962 .990 1.013	24.43 25.15 25.73	1.064 1.091 1.118	27.02 27.72 28.40				CH-863-5 CH-867-5 CH-869-5	TR-18-5 TR-19-5 TR-21-5	CH-864-5 CH-868-5 CH-870-5	TR-18-A-5 TR-19-A-5 TR-21-A-5	MT-21 MT-21 MT-21
1 1/4"-10 1 1/4"-11 1 1/4"-12	.962 .990 1.013	24.43 25.15 25.73	1.064 1.091 1.118	27.02 27.72 28.40	1/2"			CH-863-5 CH-867-5 CH-869-5	TR-18-5 TR-19-5 TR-21-5	CH-864-5 CH-868-5 CH-870-5	TR-18-A-5 TR-19-A-5 TR-21-A-5	MT-21 MT-21 MT-21
1 1/4"-15-16 1 1/4"-17-22 1 1/4"-23-25	1.087 1.115 1.133	27.61 28.32 28.78	1.204 1.259 1.285	30.58 31.98 32.64				CH-875-5 CH-879-5 CH-881-5	TR-21-5 TR-23-5 TR-24-5	CH-876-5 CH-880-5 CH-882-5	TR-21-A-5 TR-23-A-5 TR-24-A-5	MT-22 MT-22 MT-22
1 3/8"-12 1 3/8"-14	1.133 1.179	28.78 29.95	1.285 1.294	32.64 32.88		1/2"		CH-881-5 CH-885-5	TR-24-5 TR-23-5	CH-882-5 CH-886-5	TR-24-A-5 TR-23-A-5	MT-22 MT-23
1 1/2"-12 1 1/2"-17-24	1.257 1.374	31.93 34.90	1.375 1.505	34.92 38.22				CH-893-5 CH-899-5	TR-26-5 TR-29-5	CH-894-5 CH-899-RL-5	TR-26-A-5 TR-29-A-5	MT-24 MT-25

**Also available as four roll expander, sizes as five roll expanders.**

*Note: For TECO four and five roll expanders we recommend a thin wall thrust collar, especially for 19-24 Gauge wall.*



**MACTECH AUSTRALIA HEAD OFFICE:**

Unit 2, 52 Vinnicombe Drive, Canningvale, Perth, WA, Australia. 6155  
www.mactechaustralia.com.au • alan@mactechaustralia.com.au

**Ph: +61 (08) 9455 6677**

Mob/cell: 0409 081 343  
Fax: +61 (08) 9455 6644